

# Q75

## 20MP Outdoor Multi-Imager 180 Degree Dome with D/N, Adaptive IR, Advanced WDR, SLLS, 4 Fixed lenses



- 20 Megapixel
- Day & Night with Superior Low Light Sensitivity and Adaptive IR LED
- Fixed Lens with f5.5mm/F1.8
- Advanced WDR
- H.265 Compression
- Super wide angle

### ► Specifications

#### Device

|                          |   |
|--------------------------|---|
| Product Type             | Multi-Imager 180 Degree Dome  |
| Maximum Resolution       | 20MP  |
| Application Environment  | Outdoor   |
| Description              | 20MP Outdoor Multi-Imager Panoramic Dome with D/N, Adaptive IR, Extreme WDR, SLLS, 4 Fixed lenses, 4pcs 5MP sensors |
| Image Sensor             | Progressive Scan CMOS   |
| Sensor Size              | 1/1.8 "   |
| Effective Pixels         | 3096(H) X 2080(V) x 4 (6.44 MP)   |
| Day / Night              | Yes   |
| Low Light Sensitivity    | Superior  |
| Minimum Illumination     | Color: 0.003 lux; B/W: 0 lux (IR LED on)  |
| Mechanical IR Cut Filter | Yes   |
| IR LED                   | Adaptive IR LED (850 nm)  |
| IR Working Distance      | 30m   |
| S/N Ratio                | 75 dB   |

**Lens**

|                          |                            |
|--------------------------|----------------------------|
| Number of Lenses         | 4 Lenses                   |
| Focal Length             | Fixed focal, f5.5mm        |
| Aperture                 | F1.8                       |
| Iris                     | Fixed iris                 |
| Horizontal Viewing Angle | 180°                       |
| Vertical Viewing Angle   | 47°                        |
| Viewing Angle Adjustment | Pan: 0°-355°, Tilt: 0°-90° |

**Video**

|                                   |  |
|-----------------------------------|--|
| Compression                       | H.265, H.264   |
| Maximum Frame Rate vs. Resolution | 30 fps at 2592 x 1944 30 fps at 2048 x 1536 30 fps at 1920 x 1080 30 fps at 1280 x 720   |
| Multi-Streaming                   | Simultaneous triple streams  |
| Bit Rate Mode                     | Constant, Variable   |
| Wide Dynamic Range                | Advanced WDR (100 dB)  |
| Image Enhancement                 | White Balance, Brightness, Contrast, Saturation, Sharpness, Backlight compensation (BLC) |
| Privacy Mask                      | Yes  |
| Built-in Analytics                | Object Based Motion Detection, Tampering Detection                                       |
| Image Orientation                 | Mirror, Flip   |

**Audio**

|            |                          |
|------------|--------------------------|
| Audio Type | 2-way, Line-in, Line-out |
|------------|--------------------------|

**Network**

|               |   |
|---------------|---|
| Ethernet Port | 1 x Ethernet (1000 Base-T), RJ-45 connector |
|---------------|---|

**Event**

|               |                        |
|---------------|------------------------|
| Event Trigger | Video motion detection |
|---------------|------------------------|

**System**

|          |         |
|----------|---------|
| Watchdog | Support |
|----------|---------|

**Integration**

|                 |   |
|-----------------|---|
| ONVIF Compliant | Yes, Profile S, Profile Q, Profile G, Profile T |
|-----------------|---|

**Interface**

|                      |  |
|----------------------|--|
| Local Storage        | MicroSDHC memory card slot (card not included) |
| Digital Input/Output | 1/1  |
| Operating Button     | Reset Button                                   |

**General**

|                   |  |
|-------------------|--|
| Power Source      | DC 12V, AC 24V, High PoE (IEEE802.3at) |
| Power Consumption | 25.5 W (PoE)                           |

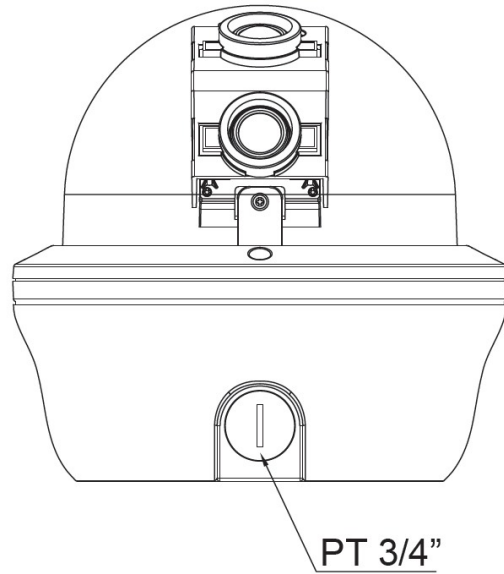
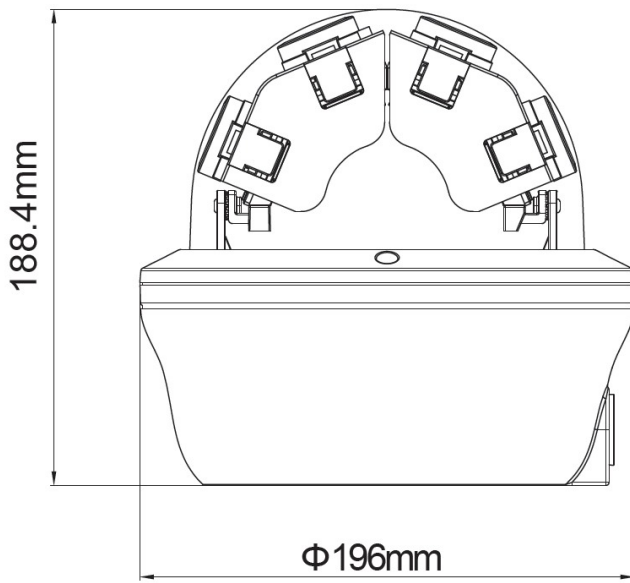
|                       |   |
|-----------------------|---|
| Weight                | 2500g (5.51lb)  |
| Dimensions            | (Ø x H): 196mm x 188.4mm (7.72" x 7.42")  |
| Environmental Casing  | Weatherproof (IP66), Vandal proof (IK10)  |
| Corrosion Protection  | Optional for project request. Chassis corrosion resistance at the seashore approximately 2-3 years. |
| Mount Type            | Surface, Pendant, Wall Mount  |
| Starting Temperature  | -20°C ~ 50°C (-4°F ~ 122°F)   |
| Operating Temperature | -40°C ~ 50°C (-40°F ~ 122°F)  |
| Approvals             | CE, FCC, IP66, IK10   |

### ► Photo Indication



- 1 Digital Output
- 2 Digital Input
- 3 Power Connector
- 4 Audio Output Jack
- 5 Reset Button
- 6 Audio Input Jack
- 7 Ethernet Port
- 8 Memory Card Slot









### ► Dimension Diagram



Unit: mm [inch]


## ▶ Related Products

### Mounting Accessories - Camera Mount


|           |   |   |
|-----------|---|---|
| PMAX-0104 |                          | Extension Tube  |
| PMAX-0125 |                          | Straight Tube with Converter Ring (for Q75)   |
| PMAX-0126 |                          | Straight Tube with Bracket and Converter Ring (for Q75)   |
| PMAX-0346 |                          | Heavy Duty Wall Mount with Converter Ring (for Q75, A950, A951, A952, A956)   |
| PMAX-0402 |                          | Corner Mount  |
| PMAX-0503 |  | Pole Mount (for PMA-0102, PMA-0312, PMA-0313, PMA-0314, PMA-0702, PMA-1106, PMA-1107), supports 5.25" to 8.5" Poles |
| PMAX-0702 |                          | Junction Box for PTZ and Dome Cameras   |
| PMAX-0807 |                         | Gangbox Converter (for PMA-0102, PMA-0312, PMA-0313, PMA-0314, PMA-0321), supports Two-Gang Boxes                   |

**Note:** Some mounting accessories may need additional accessories for installation. Please check [www.acti.com/mountingselector](http://www.acti.com/mountingselector) for more information.

### Power Supply Accessories - Power Adapter

|           |   |   |
|-----------|---|---|
| PPBX-0015 |  | Power Adapter AC 100~240V (12V/2A Output), with universal connectors for R21CF-xx |
|-----------|---|---|

### Audio Devices - Microphone

|           |   |  |
|-----------|---|--|
| PMIC-0100 |  | Active Microphone Omnidirectional for all Cameras with Line-in Audio |
|-----------|---|--|