

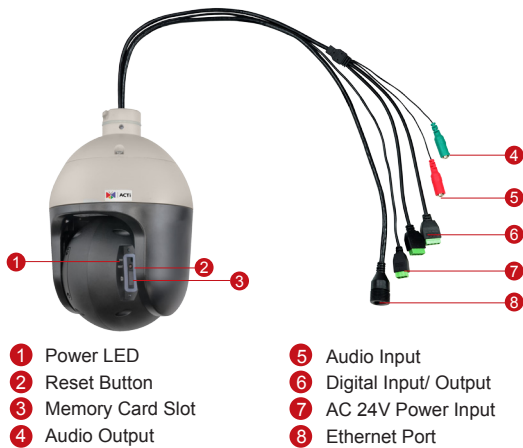
# I98

## 2MP Outdoor Speed Dome with D/N, Adaptive IR, Extreme WDR, SLLS, 33x Zoom Lens

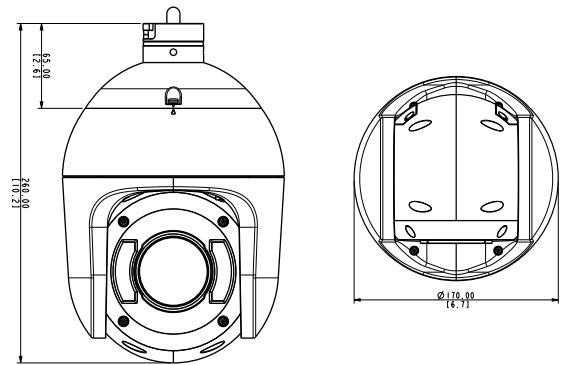


- 2 Megapixel with 1080p
- Day & Night with Superior Low Light Sensitivity and Adaptive IR LED
- 33x Zoom Lens with f4.5-148.5mm / F1.6-5.0, DC Iris, Auto Focus
- Extreme WDR (145 dB)
- 60 fps at 1920 x 1080
- Endless Pan & Tilt
- Weatherproof (IP66) and Vandal Proof Metal Casing (IK10) with Built-in Dehumidifier
- Scratch-resistant and Water-repellent Lens Glass
- Built-in Analytics

### PHOTO INDICATION



### DIMENSION DIAGRAM



Unit: mm [inch]

### ACCESSORY OPTIONS

High PoE Injector		
PPOE-0102		High PoE Injector with universal connector

Popular Mounting Solutions		
Wall	PMAX-0312 PMAX-0702	
Pendant	PMAX-0102	
Corner	PMAX-0312 PMAX-0702 PMAX-0402	
Pole	PMAX-0312 PMAX-0702 PMAX-0503	
Parapet	PMAX-0808	

\* For more mounting solutions, please refer to Project Planner on [www.acti.com](http://www.acti.com)

## PRODUCT SPECIFICATION

### • Device

Product Type	Outdoor Speed Dome
Image Sensor	Progressive Scan CMOS
Sensor Size	1/2.8"
Effective Pixels	1944 (H) x 1224 (V) (2.38 MP)
Horizontal Resolution	1800 TVL
Day / Night	Yes
Low Light Sensitivity	Superior
Minimum Illumination	Color: 0.1 lux at F1.6 (30 IRE, 2400°K); B/W: 0 lux at F1.6 (IR LED On)
Color to B/W Switch	ISP based switch, configurable
Mechanical IR Cut Filter	Yes
IR Sensitivity Range	700- 1100nm
IR LED	Adaptive IR LED x 8 (850nm)
IR Working Distance	160m (0 lux, 30 IRE, Gain 255, Auto shutter mode)
Electronic Shutter	1/5 - 1/32,000 sec (manual mode); 1/5 - 1/32,000 sec (auto mode)
S/N Ratio	56 dB

### • Lens

Focal Length	Zoom, f4.5 - 148.5mm / F1.6 - 5.0
Zoom Ratio / Speed	33x optical, 10x digital / 2.7 sec (tele to wide)
Zoom Application	Camera installation; Auto zoom by event; Manual operation
Iris	DC iris
Focus	Auto focus
Horizontal Viewing Angle	69.3° - 3°

### • PTZ

Manual Panning / Tilting Speed	3.2°~72 °/s / 1.6°~36 °/s
Preset Panning / Tilting Speed	0.1°~ 300°/s / 0.1°~ 150°/s
Panning Range	360° Endless
Tilting Range	-20° ~ 200°
Control	Remote manual control; 256 preset points; 10 preset tours; Auto scan
Preset Panning Accuracy	0.265°
Preset Tilting Accuracy	0.265°
Absolute Position	Yes
Protocol	ACTi URL command, Sony VISCA, Pelco D, Pelco P

### • Video

Compression	H.264 (Baseline / Main / High profile), MJPEG
Max. Frame Rate vs. Resolution	60 fps at 1920 x 1080; 60 fps at 1280 x 720; 30 fps at 640 x 480; 15 fps at 320 x 240
Multi-Streaming	Unicast/Multicast (RTSP, UDP); Simultaneous triple streams based on video configurations
Bit Rate	128 Kbps - 12 Mbps (per stream)
Bit Rate Mode	Constant, Variable
Image Enhancement	Extreme WDR (145 dB); White balance: automatic, hold and manual; Brightness; Contrast; Sharpness; Automatic gain control; 2D+3D digital noise reduction; Flickerless; **Defogging
Privacy Mask	20 configurable regions
Text Overlay	User defined text on video
Image Orientation	Image flip and mirror
Built-in Analytics	Motion Detection, Tamper, Shock Detection, PTZ Auto Tracking, Digital Image Stabilizer, **Line Crossing, **Enter Area, **Exit Area, **Appear in Area, **Missing Object, **Unattended Object

### • Audio

Audio	2-way (Mic-in, Line-in, Line-out)
Compression	8 kHz, Mono, PCM, 16 bit encoding; G.711
Audio-In / Audio-Out	Cable with 3.5mm phone jack

### • Network

Protocol & Service	TCP, UDP, HTTP, HTTPS, DHCP, PPPoE, RTP, RTSP, IPv4, IPv6, DNS, DDNS, NTP, ICMP, ARP, IGMP, SMTP, FTP, UPnP, SNMP, Bonjour
Ethernet Port	1, Ethernet (10/100Base-T), RJ-45 connector
Security	IP address filtering; HTTPS encryption; Password protected user level; Anonymous login; IEEE 802.1X network access control

### • Alarm

Alarm Trigger	Video motion detection (10 regions); External device through digital input; Sound detection
Alarm Response	Notify control center; Go to PTZ preset point or preset tour; Change camera settings; Command other devices; E-mail notification with snapshots; Save video or snapshot to local storage; Upload video or snapshot to FTP server; Activate external device through digital output

### • Interface

Digital Input	4, Terminal block
Digital Output	2, Terminal block
Local Storage	**MicroSDHC memory card slot (card not included)

### • General

Power Source	High PoE (IEEE802.3at) 50W / AC 24V 62W (With heater controlled by thermostat)
Weight	3112 g (6.86 lb)
Dimensions (Φ x H)	170 mm x 260 mm (6.69" x 10.23")
Environmental Casing	Weatherproof (IP66); Vandal proof metal casing (IK10); Scratch-resistant and water-repellent lens glass
Mount Type	Pendant, Wall, Corner, Pole, Parapet
Starting Temperature	-40°C ~ 55°C (-40°F ~ 131°F ) within 30mins
Operating Temperature	-40°C ~ 55°C (-40°F ~ 131°F )
Operating Humidity	10% ~ 85% RH, Built-in dehumidifier
Approvals	CE (EN 55022 Class B, EN 55024), FCC (Part15 Subpart B Class B), IP66, IK10 (metal casing), NEMA 4X, EN60950-1, UL (for bundled power adapter)

### • Integration

Unified Solution	Fully compatible with ACTi software
ISV Integration	Software Development Kit (SDK) available; **ONVIF Compliant
GPS Position	Manual setting
Firmware Access Browser	Microsoft Internet Explorer 8.0 or newer (full functionality); Safari with QuickTime installed, and other browsers with VLC installed (partial functionality)

\*\* Functionalities will be available in a future firmware update

\* All specifications are subject to change without notice.

\* All brand names and registered trademarks are the property of their respective owners.

www.acti.com

