

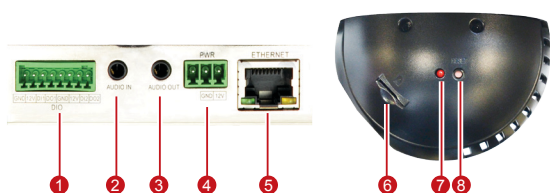
B923

3MP Video Analytics Indoor Speed Dome with D/N, Extreme WDR, SLLS, 30x Zoom Lens



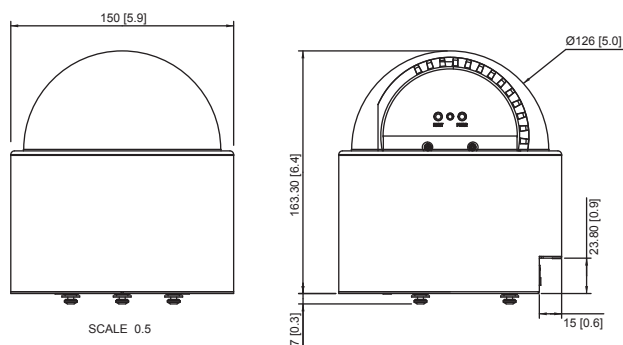
- 3 Megapixel
- Day & Night with Superior Low Light Sensitivity
- 30x Zoom Lens with $f4 \sim 135 \text{ mm}$ / $F1.6 \sim 4.4$, DC Iris, Auto Focus
- Extreme WDR (145 dB)
- 60 fps at 1920 x 1080
- 360° Endless Pan, 0° ~ 180° Tilting Range
- Vandal Resistant (IK09)

PHOTO INDICATION



- | | |
|--------------------------|--------------------|
| 1 Digital Input / Output | 5 Ethernet Port |
| 2 Audio Input | 6 Memory Card Slot |
| 3 Audio-Out | 7 Power LED |
| 4 DC 12V Power Input | 8 Reset Button |

DIMENSION DIAGRAM



Unit: mm [inch]

ACCESSORY OPTIONS

| Dome Cover | | |
|------------|--|--|
| PDCX-1105 | | Indoor PTZ Smoked Dome Cover Vandal Resistant (IK09) |

| High PoE Injector | | |
|-------------------|--|--|
| PPOE-0101 | | High PoE Injector with universal connector |

| Popular Mounting Solutions | | |
|----------------------------|------------------------|--|
| Surface | Bundled surface mount | |
| Wall | PMAX-0311 | |
| Pendant | PMAX-0110 PMAX-0103 | |
| Flush | PMAX-1010 | |

* For more mounting solutions, please refer to Project Planner on www.acti.com

PRODUCT SPECIFICATION**• Device**

| | |
|--------------------------|---|
| Product Type | Indoor Speed Dome Camera |
| Image Sensor | Progressive Scan CMOS |
| Sensor Size | 1/2.8" |
| Effective Pixels | 2065 (H) x 1553 (V) (3.21 MP) |
| Day / Night | Yes |
| Low Light Sensitivity | Superior |
| Minimum Illumination | Color: 0.1 lux at F1.6 (30 IRE, 2400°K) B/W: 0.05 lux at F1.6 (30 IRE, 2400°K) |
| Color to B/W Switch | ISP based switch, configurable |
| Mechanical IR Cut Filter | Yes |
| IR Sensitivity Range | 700 ~ 1100 nm |
| IR LED | No |
| Electronic Shutter | 1/5-1/64000second (manual mode) 1/5-1/64000second (auto mode) |
| Horizontal Resolution | 1450 TVL |
| S/N Ratio | 56 dB |

• Lens

| | |
|--------------------------|----------------------------------|
| Focal Length | Zoom, f4.5 ~ 135 mm / F1.6 ~ 4.4 |
| Zoom Ratio | 30x Optical |
| Iris | DC iris |
| Focus | Auto focus |
| Lens Mount | Board Mount |
| Horizontal Viewing Angle | 58.5° ~ 3.2° |
| Vertical Viewing Angle | 46° ~ 2.4° |

• PTZ

| | |
|-------------------|--|
| Panning Range | 360° Endless |
| Tilting Range | 0° ~ 180° |
| Absolute Position | Yes |
| Protocol | ACTi URL command, Sony VISCA, Pelco D, Pelco P |

• Video

| | |
|--------------------------------|--|
| Compression | H.265, H.264 (Baseline / Main / High profile), MJPEG |
| Max. Frame Rate vs. Resolution | 30 fps at 2048 x 1536 60 fps at 1920 x 1080 30 fps at 1280 x 960 60 fps at 1280 x 720 30 fps at 800 x 600 30 fps at 640 x 480 30 fps at 320 x 240 |
| Multi-Streaming | Simultaneous triple streams based on triple configurations |
| Bit Rate | 128 Kbps ~ 12 Mbps (per stream) |
| Bit Rate Mode | Constant, Variable |
| Image Enhancement | Extreme WDR (145 dB), White balance, Brightness, Contrast, Sharpness, Automatic Gain Control, 2D+3D Digital Noise Reduction, Flickerless, Defogging, Digital Image Stabilizer* |
| Privacy Mask | 32 configurable 3D privacy masks (to be available through future firmware upgrade) |
| Text Overlay | User defined text on video |
| Built-in Analytics | Object Based Motion Detection, Tampering Detection, Shock Detection |
| Image Orientation | Flip, Mirror |

• Audio

| | |
|-------------|--|
| Audio Type | 2-way, Mic-in, Line-in, Line-out |
| Compression | 8 kHz, Mono, PCM, 16 bit encoding; G.711 |

• Network

| | |
|--------------------|---|
| Protocol & Service | IPv4/v6, TCP, UDP, DHCP, PPPoE, HTTP, HTTPS, DNS, DDNS, NTP, RTP, RTSP, RTCP, SMTP, FTP, IGMP, ICMP, ARP, Bonjour, UPnP, QoS, SNMP, IEEE 802.1x |
| Ethernet Port | 1 x RJ-45 connector |
| Security | IP Address Filtering, HTTPS Encryption, Password Protected User Level, Anonymous Login, IEEE 802.1x Network Access Control |

• Alarm

| | |
|----------------|---|
| Alarm Trigger | Video Motion Detection, External Device through Digital Input, Sound Detection |
| Alarm Response | Notify control center, Go to PTZ preset point or preset tour, Change camera settings, Command other devices, E-mail notification with snapshots, Push notification to mobile device, Save video to local storage, Upload video to NVR server, Upload video or snapshot to FTP server, Activate external device through digital output |

• Interface

| | |
|-----------------|--|
| Audio Interface | 3.5 mm Phone jack |
| Digital Input | 2, Terminal block |
| Digital Output | 2, Terminal block |
| Local Storage | MicroSDHC/MicroSDXC memory card slot (card not included) |

• General

| | |
|-----------------------|---|
| Power Source | High PoE (IEEE802.3at), DC 12V |
| Power Consumption | 25.5 W (PoE) |
| Weight | 1546 g (3.41 lb) |
| Dimensions (Φ x H) | 150mm x 163.3 mm (5.9" x 6.4") |
| Bundled Accessories | Surface mount, Power adapter |
| Environmental Casing | Vandal resistant (IK09); Transparent dome cover |
| Mount Type | Surface, Flush, Pendant, Wall, Corner, Pole |
| Starting Temperature | -10°C ~ 50°C (14°F ~ 122°F) |
| Operating Temperature | -10°C ~ 50°C (14°F ~ 122°F) |
| Operating Humidity | 10% ~ 85% RH |
| Approvals | CE, FCC, IK09, UL (for bundled power adapter) |

• Integration

| | |
|-------------------------|---|
| Unified Solution | Fully compatible with ACTi software |
| ISV Integration | Software Development Kit (SDK) available; ONVIF Compliant |
| GPS Position | Manual setting |
| Firmware Access Browser | Microsoft Internet Explorer 11 |
| Auto Firmware Update | Yes |